



CADET

Spare Parts Catalog

CDT-1

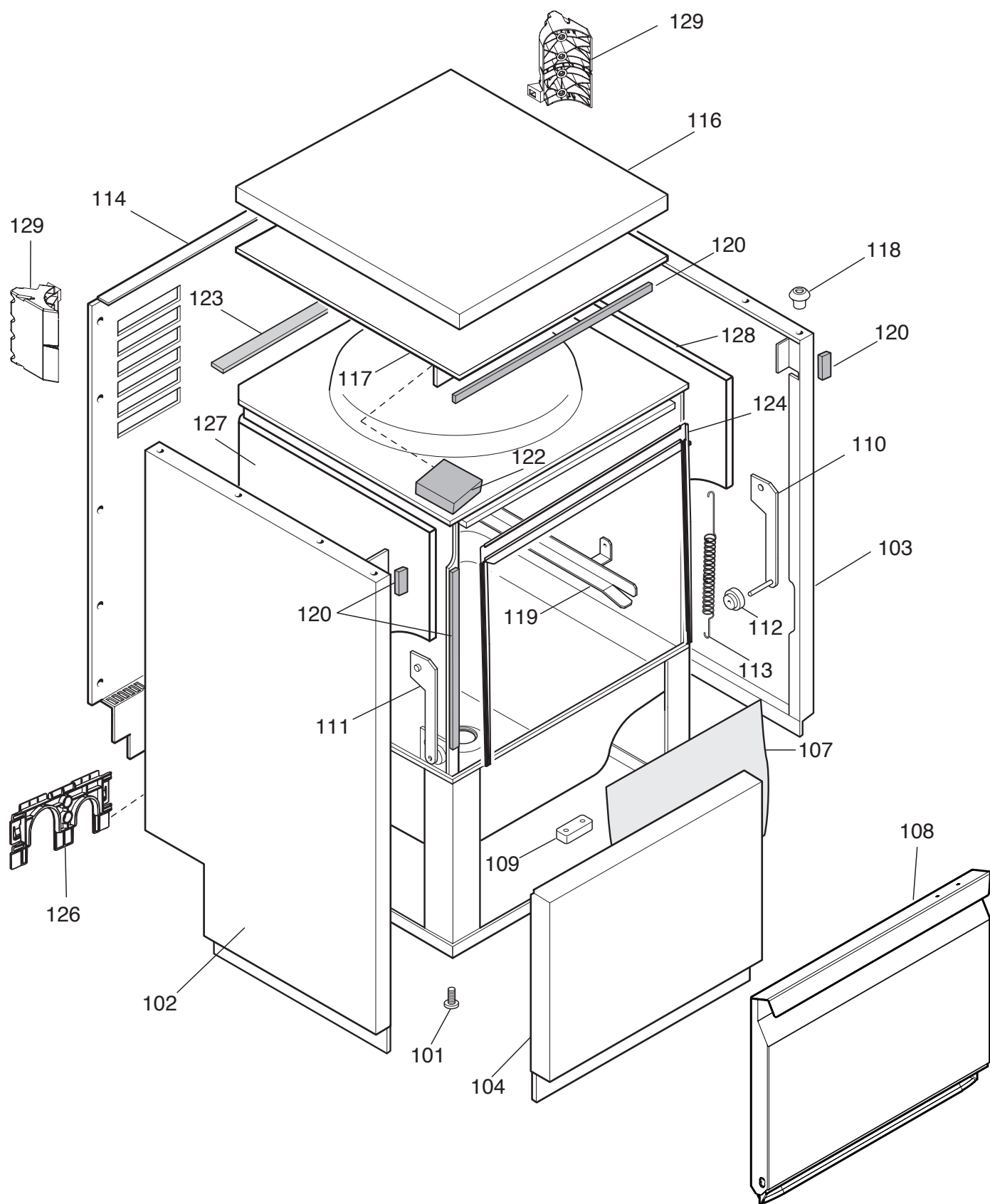


UNDERCOUNTER DISHWASHER

CADET CDT-1**PRESSIONE**

Code	Type	Ref.	Pagina/Page
502354	CDT1	a	2 3 4 5 6 7 8 9 10

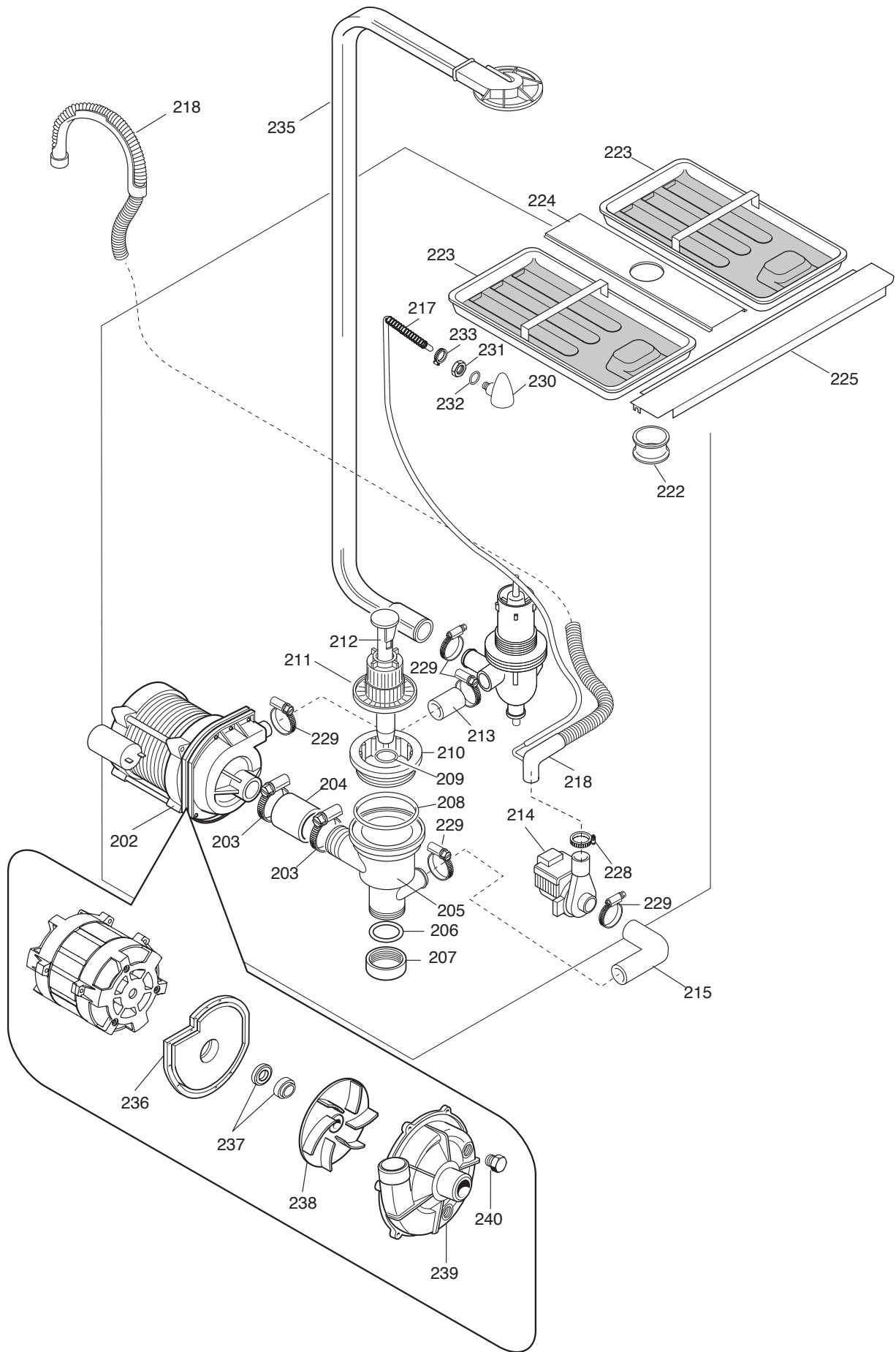
Pag./Page2
3
4
5
6
7-8
9
10
10**Index**Main view
Spare parts list
Hydraulic components
Spare parts list
Hydraulic circuit
Spare parts list
Electrical components
Spare parts list
Yearly maintenance KIT**Brand:** INSINGER
Country: CANADA-USA



Main View

UNDERCOUNTER DISHWASHER EUCI / EUCAI **Bold Print = changes**

Pos.	Part No.	Description	Notes
Page 2: Main view			
101	UC049393	Adjustable foot	
102	UC0L4608	Side panel; left	
103	UC0L4607	Side panel; right	
104	UC0L5139	Front panel	
107	UC0L0531	Gasket	
108	UC0L0783	Door	
109	UC049627	Magnet	
110	UC0L0717	Assembly Lever right	
111	UC0L0718	Assembly Lever left	
112	UC048812	Bushing	
113	UC048815	Door spring	
114	UC0L4602	Back panel	Up to 2021/07
114	UC0L5136	Back panel	From 2021/08
116	UC0L4606	Top panel	Up to 2021/07
116	UC0L5137	Top panel	From 2021/08
117	UC0L1422	Upper protection	
118	UC047511	Pin	
119	UC0L0516	Support; for basket	
120	UC049930	Gasket	
122	UC0L0114	Insulation	
123	UC0E5559	Gasket	
124	UC0L2561	Gasket door	
126	UC0L0112	Hoses protection	
127	UC0L1373	Left insulating panel	
128	UC0L0482	Right insulating panel	
129	UC0L0762	Angular support	
Page 3: Hydraulic components			
202	UC0L3401	Wash pump	
203	UC0L0193	Hose clamp 40-60	
204	UC0L1374	Hose	
205	UC048325	Drain manifold	
206	UC049828	Gasket	
207	UC046596	Plug; for manifold	
208	UC049894	O Ring	
209	UC046799	O Ring	
210	UC048326	Ring nut; for manifold	
211	UC048324	Filter; for pump	
212	UC048842	Overflow pipe	
213	UC0L0259	Hose	
214	UC0L2133	Drain pump 60hz	
215	UC049877	Coupling; drain	
217	UC049270	Spring; bending protection	

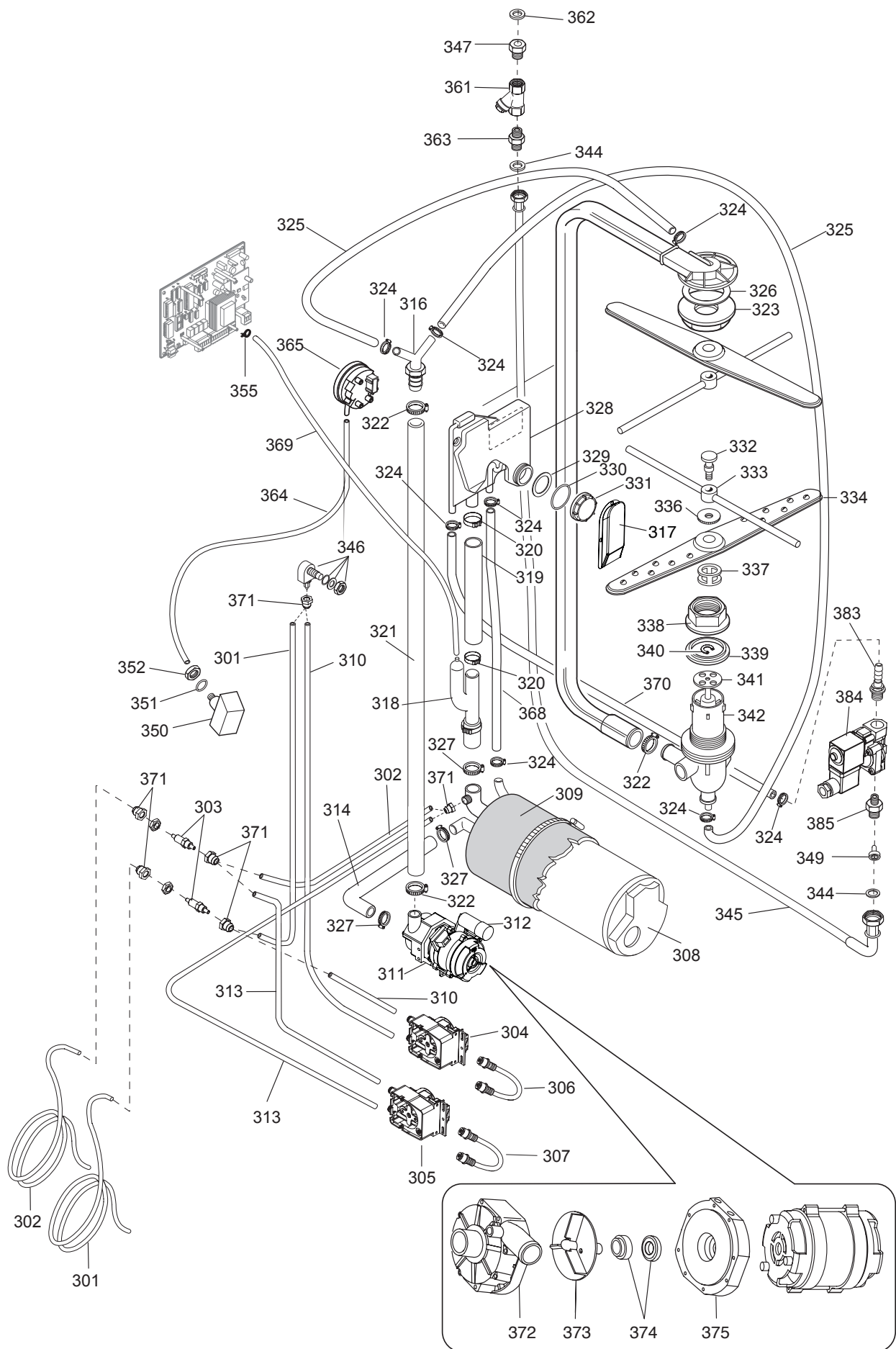


Hydraulic components

UNDERCOUNTER DISHWASHER EUCI / EUCAI

Bold Print = changes

Pos.	Part No.	Description	Notes
Page 4: Hydraulic components			
202	UC0L3401	Wash pump	
203	UC0L0193	Hose clamp 40-60	
204	UC0L1374	Hose	
205	UC048325	Drain manifold	
206	UC049828	Gasket	
207	UC046596	Plug; for manifold	
208	UC049894	O Ring	
209	UC046799	O Ring	
210	UC048326	Ring nut; for manifold	
211	UC048324	Filter; for pump	
212	UC048842	Overflow pipe	
213	UC0L0259	Hose	
214	UC0L2133	Drain pump 60hz	
215	UC049877	Coupling; drain	
217	UC049270	Spring; bending protection	
218	UC048845	Drain pipe	
222	UC0L0078	Filter support	
223	UC049908	Tank filter	
224	UC049935	Support; filters	
225	UC049936	Support; filters	
228	UC047578	Hose clamp 26-38	
229	UC046878	Hose clamp 38-50	
230	UC048853	Spigot; air relief	
231	UC049268	Nut; M14x1,5	
232	UC068642	O Ring	
233	UC048126	Hose clamp 8-12	
235	UC0L0095	Hose	
236	UC0L0498	Flange	
237	UC0L0490	Shaftsealing	
238	UC0L0493	Impeller	
239	UC049526	Shell	
240	UC0L0473	Plug	



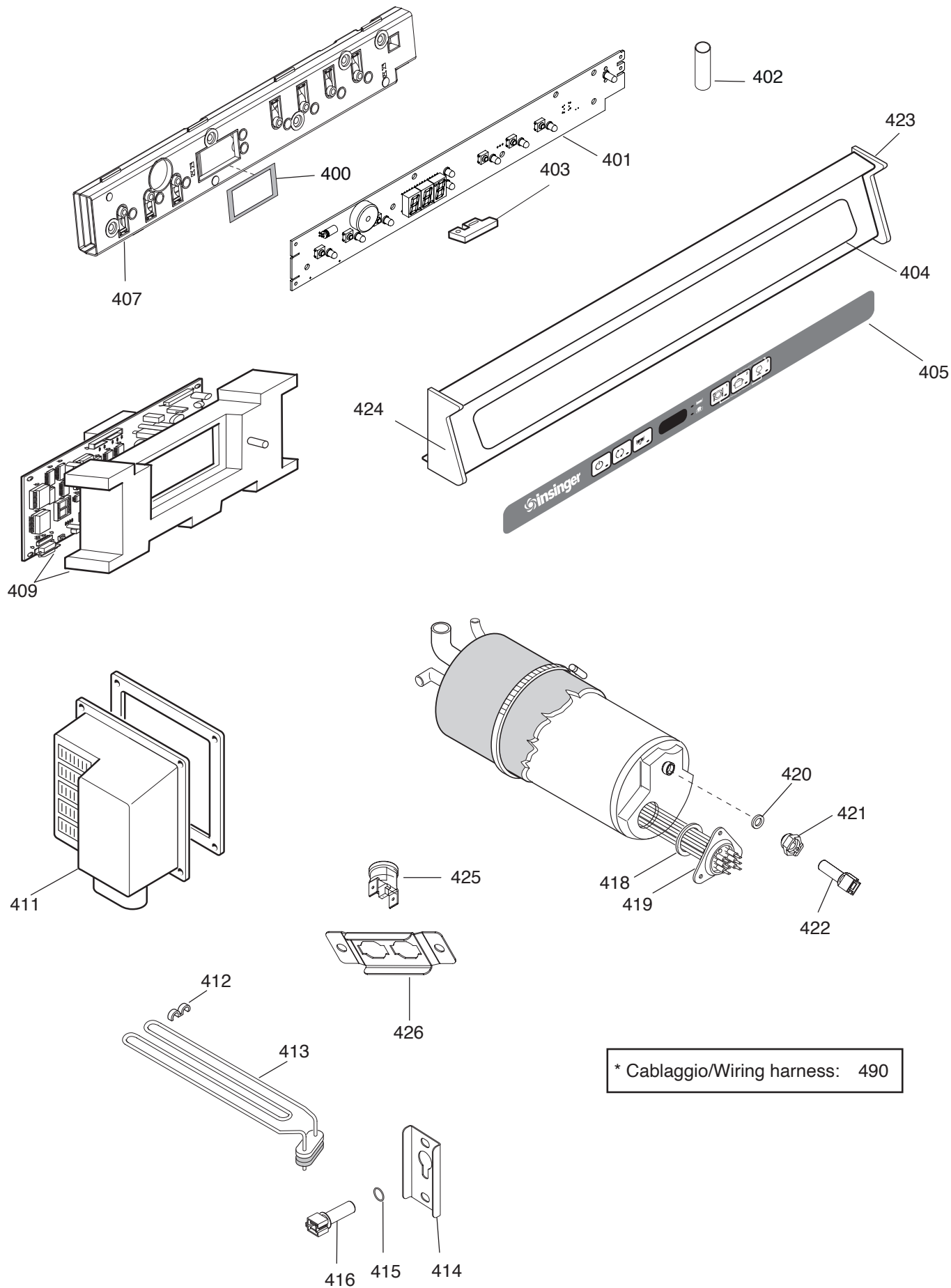
Hydraulic circuit

UNDERCOUNTER DISHWASHER EUCI / EUCAI			Bold Print = changes
Pos.	Part No.	Description	Notes
		Page 6: Hydraulic circuit	
301	UC0L1163	Detergent pipe (grey)	
302	UC0L0481	Rinse aid pipe (blue)	
303	UC0L0478	Connection	
304	UC0S2787	Rinse aid pump	
305	UC0L4831	Detergent pump	
306	UC0L5079	Hose;internal, rinse aid pump	
307	UC0L5076	Hose; internal, detergent pump	
308	UC0L3205	Boiler	
309	UC0L0420	Insulation; for boiler	
310	UC0L1163	Detergent pipe (grey)	
311	UC0L1098	Rinse pump	
313	UC0L0481	Rinse aid pipe (blue)	
314	UC0L1108	Coupling; rins	
316	UC0L0365	Connection 3 way; diam 27-12	
317	UC0L2560	Guard ring nut	
318	UC0L2849	Air trap; boiler	
319	UC054468J200	Hose; diam 25	
320	UC047578	Hose clamp	
321	UC0L0117	Hose	
322	UC046878	Hose clamp 35-50	
323	UC048824	Ring nut	
324	UC048126	Hose clamp 13-20	
325	UC048531	Hose	
326	UC0L0110	Gasket	Up to 2022/44
326	UC0L5221	Gasket	From 2022/45
327	UC047578	Hose clamp 26-38	
328	UC0L2435	AIR GAP (open)	
329	UC0L2664	Gasket	
330	UC0L2665	O Ring	
331	UC049480	Ring nut	
332	UC048290	Pin; for rinse jets	
333	UC0L2095	Rinse jet	
334	UC0TTMAJ	Washing arms assembly	
336	UC048632	Lock washer	
337	UC048401	Hub	
338	UC048330	Ring nut	
339	UC048236	Gasket	
340	UC048979	C-Clamp	
341	UC048820	Flow reducer	
342	UC048819	Jets support; lower	
344	UC049201	Gasket	
345	UC0L1887	Pipe; straight + 90 degr	
346	UC049801	Detergent iniecton	
347	UC0L2038	Connection 3/4" - 3/4" G	
From Ser.nr.: /90--		Ed. 2019 - 11 Updated 2024 - 09	Doc. Nr.: 59566S600

UNDERCOUNTER DISHWASHER EUCI / EUCAI

Bold Print = changes

Pos.	Part No.	Description	Notes
349	UC0L0170	Flow reducer	
350	UC048308	Air trap	
351	UC068642	O Ring	
352	UC049268	Nut; M14x1,5	
355	UC0L0082	Hose clamp	
361	UC068121	Filter	
362	UC049201	GASKET; DIAM 3/4	
363	UC072457	Brass nipple 3/4" - 3/4"	
364	UC049904	Pressure switch hose	
365	UC049881	Pressure switch	
368	UC0544682900	Hose	
369	UC0L3415	Hose	
370	UC0544686C00	Hose	
371	UC0L2071	Plug assembly	
372	UC0L0495	Shell	
373	UC0L0492	Impeller	
374	UC0L0489	Shaftsealing	
375	UC0L0497	Flange	
383	UC0L0477	Fitting	
384	UC0L2656	Electric valve	
385	UC0L0479	Brass nipple 3/4" - 3/8"	



Electrical components

UNDERCOUNTER DISHWASHER EUCI / EUCAI **Bold Print = changes**

Pos.	Part No.	Description	Notes
Page 9: Electrical components			
400	UC0L1943	Display gasket	
401	UC0L4548	User Interface	
403	UC049621	Reed sensor	
404	UC0L1658	Control panel	
405	UC0L4601	Membrane	Up to 2021/06
405	UC0L5367	Membrane	From 2021/07
407	UC0L1567	User interface cover	
409	UC0L4600	Main board	
411	UC0L0111	Junction box	
412	UC048429	Bracket	
413	UC0L0424	Heating element; 2,2kW, 208V	
414	UC0L0366	Support; sensor	
415	UC0L2303	O Ring	
416	UC049643	NTC sensor	
418	UC0L2304	O-Ring	
419	UC0L2769	Heating element 6kW 208V	
420	UC0L2303	O Ring	
421	UC0L0280	Stuffing box	
422	UC049643	Temperature sound	
423	UC0L0756	Gasket right	
424	UC0L0755	Gasket left	
425	UC0L2895	Tank safety temperature device	
426	UC0L2894	Safety temperature device support	
490	UC63868JV00	Wiring harness	

UC0L4685 YEARLY MAINTENANCE KIT

Qty	Code	Description	Note
1	UC047578	CLAMP; 26-38	
1	UC048126	CLIP; 13-20	
1	UC048845	DRAIN HOSE	
1	UC049460	O-RING; ØI=53,65MM; ØE=58,89MM	
1	UC049480	RING NUT; FOR AIR GAP	
1	UC049643	TEMPERATURE PROBE	
1	UC049828	GASKET D.EXT 59.5-D.INT 50-SP1.5	
1	UC0L0098	AIR TRAP; BOILER	
1	UC0L0481	TUBE; L=2660 MM; ØE=6 MM; BLU	
1	UC0L1163	HOSE; ØI=4,3MM; ØE=6MM; L=2660MM; GREY	
2	UC0L2303	O-RING; DIA.9,25X1,78	Quantity in BOM from 1 to 2
1	UC0L2666	AIR GAP	
1	UC0L3447	SOLENOID VALVE; 220/240V 50/60HZ;5L/MIN.	
1	UC0L5076	RUBBER HOSE	
1	UC0L5078	RUBBER HOSE RINSE	
1	UC049643	TEMPERATURE PROBE	New component in BOM



Insinger Machine Co.
6245 State Rd. Philadelphia, PA 19135
800.344.4802 | sales@insingermachine.com