



Project _____

Item _____ Quantity _____

Approved by _____ Date _____

AIA/SIS # _____

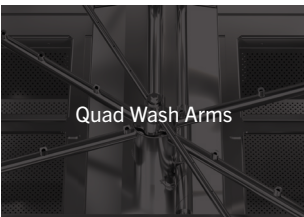


CX20

High Temp Door Type Dishwasher



60
Racks Per Hour



ENERGY STAR
ENERGY STAR® 3.0 Certified

STANDARD FEATURES

- Washes 60 racks (20" x 20") per hour
- Built-in HeatCore booster
- ENERGY STAR® 3.0 Certified
- Ergo-grip door handle
- Foot-operated drain pedal
- InfoPanel multi-line display
- Quad-arm wash system
- RackAware rack detection system
- ScrapShield oversized scrap screens
- StatusGlow LED indicator bar
- Adjustable leveling feet
- Anti-vandal stainless steel buttons
- De-lime program for easy cleaning
- Detergent connection provision
- Dish rack guides nest & lock
- Door safety switch
- Easy-access swing out corner control panel
- Energy conservation drain overflow
- Front mounted wash tank
- Gas door springs
- Hinged dish rack support
- Low water protection
- Multiple cycles: wash, extended, heavy, and delime
- Non-proprietary components
- Single point or dual point electrical option
- Stainless steel frame, legs and feet
- Waterproof IP67 control board

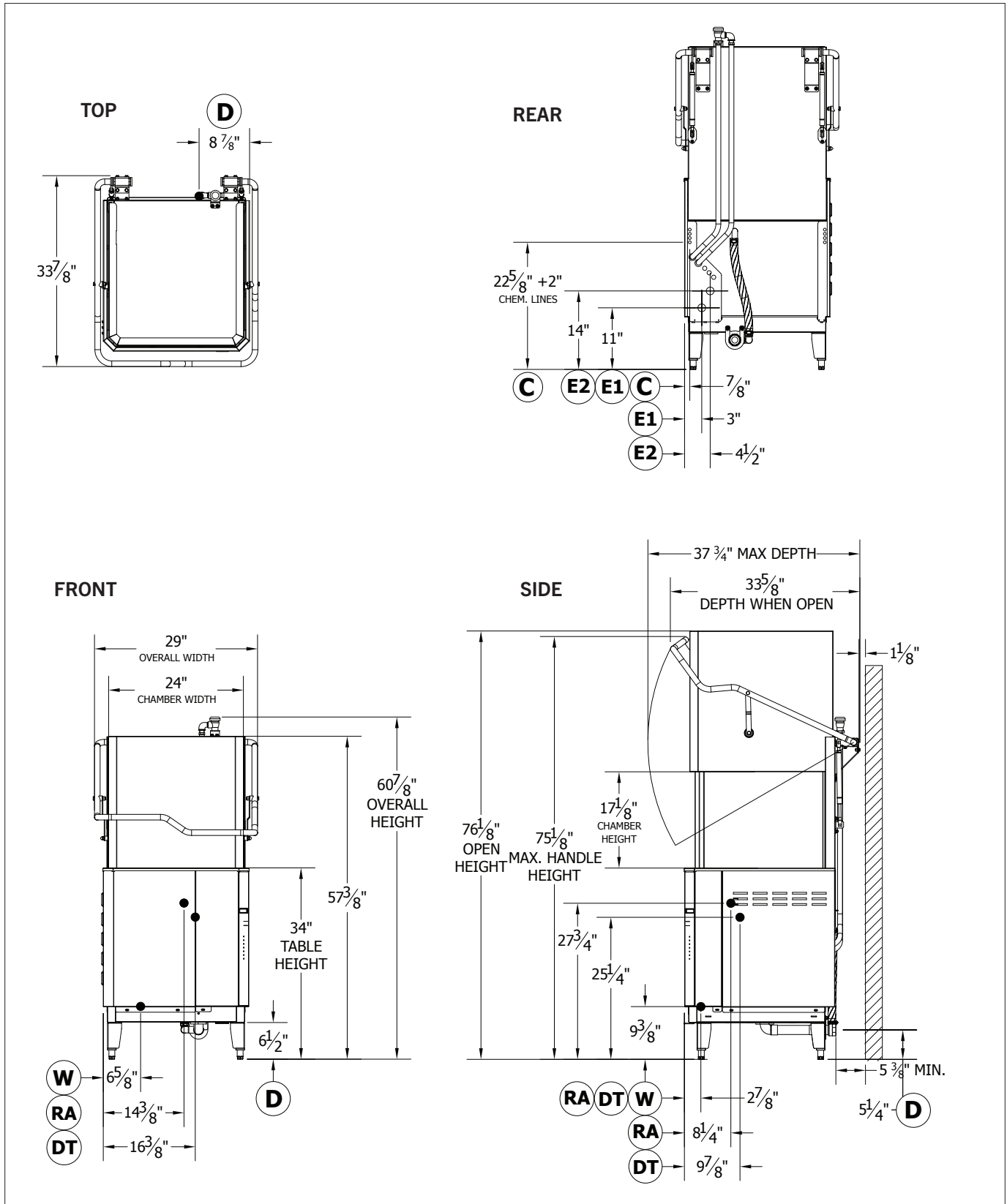
OPTIONS & ACCESSORIES

- 20" x 20" dish racks (peg or flat)
- Drain cooldown system
- External steam booster
- False panel kit for corner installation
- Flanged feet
- Security package

SPECIFIER STATEMENT

Specified unit will be a CX20 high temperature door type dishwasher. Features include built-in HeatCore booster, StatusGlow LED indicator bar, Ergo-grip door handle, foot-operated drain pedal, ScrapShield oversized scrap screens, quad-arm wash system, and RackAware rack detection. Includes a 1-year parts and labor warranty.

TECHNICAL INFORMATION



SPECIFICATIONS

Capacity	Racks Per Hour	60
	Dishes Per Hour	1,500
	Meals Per Hour	2,400
Cycle Times	Standard (Cycle 1)	60 sec
	Extended (Cycle 2)	90 sec
	Heavy (Cycle 3)	180 sec
Heat	Tank Heat	9.0 kW
	Booster Heat	9.0 kW
	Booster Capacity	2.3 gal
Water	Water Inlet Temperature	110°F
	Water Consumption (20 PSI)	.65 gal/rack
	Wash Tank Capacity	17.5 gal
	Peak Rate Drain Flow	35 gal/min
Steam	Steam Tank Consumption	11 lbs/hour
	Steam Consumption (40°F rise)	22 lbs/hour
	Steam Consumption (70°F rise)	43 lbs/hour
	Peak Drain Flow	35 gal/min
Other	Wash Motor Size	1.5 hp
	Built-In Booster	Standard
	Shipping Weight	400 lbs

ELECTRICAL

	Service Options	Total Load	
Electric Tank Heat (Single Point)	208/60/1	96.1 A	
	208/60/3	54.0 A	
	240/60/1	84.3 A	
	240/60/3	47.8 A	
	480/60/3	23.8 A	
	Service Options	E1	E2
Electric Tank Heat (Dual Point)	208/60/1	52.8 A	43.3 A
	208/60/3	30.0 A	25.0 A
	240/60/1	46.8 A	37.5 A
	240/60/3	26.1 A	21.7 A
	480/60/3	13.0 A	10.8 A

LEGEND

	Label	Description	Note
Water	D	Drain Connection	1-1/2 FPT
	W	Hot Water Inlet (110 F Min)	1/2 FPT
Electrical	E1	Main Electrical (Single & Dual-Point)	1-3/8 HOLE
	E2	Booster Electrical (Dual Point Only)	1-3/8 HOLE
	CP	Conductivity Probe Location	7/8 HOLE
Chemical	DT	Detergent Insertion Points	7/8 HOLE
	PS	Pressure Switch Connection	1/4 FPT
	RA	Rinse Aid Connection	1/4 FPT
	C	Chemical Line & Signal Access	1/2 HOLES (4)

Contact Insinger Sales at 800-344-4802 for an installation drawing specific to your application.
 Note: Due to product improvement we reserve the right to change information and specifications without notice.