

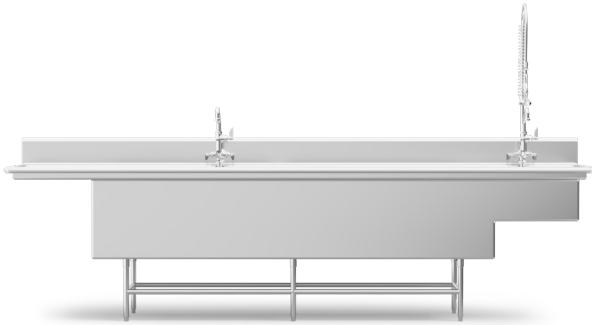


Project _____

Item _____ Quantity _____

Approved by _____ Date _____

AIA/SIS # _____



SMARTSCRUBBER 112

Automatic Sink System

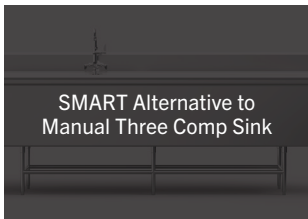


16

Gauge Stainless Steel



Three Standard Sizes



SMART Alternative to Manual Three Comp Sink



Made in the USA

STANDARD FEATURES

- 1 HP pump and non-submerged heat source
- 16-Gauge stainless steel with rolled front and hemmed sides
- Angled corners to eliminate jams
- Fits full-sized sheet pans
- Front-mounted controls (on/off for pump and heater)
- Quad-jet whirlpool wash system
- Six high-velocity jets for effective cleaning
- Smart alternative to manual three compartment sink
- 11" backsplash
- T304 stainless steel construction
- High-capacity basket-style waste drain
- Left or right hand configuration
- Runs on 120V, 20A circuit
- Single-point electrical connection
- Streamlined design
- Welded legs with stainless steel leveling feet

OPTIONS & ACCESSORIES

- Clean side undershelf
- End splash
- Scrapper drainboard with pre-rinse faucet
- Sink overflows

SPECIFICATIONS

Shipping Weight (112")	550 lbs.
------------------------	----------

ELECTRICAL

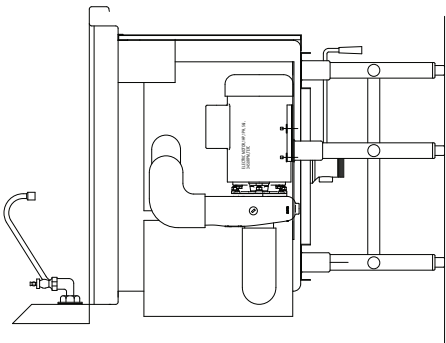
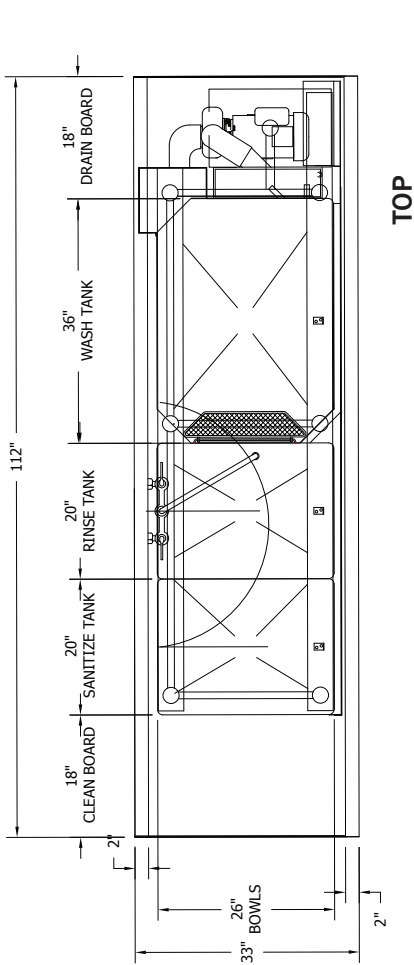
120/60/1	16.3 A
----------	--------

SPECIFIER STATEMENT

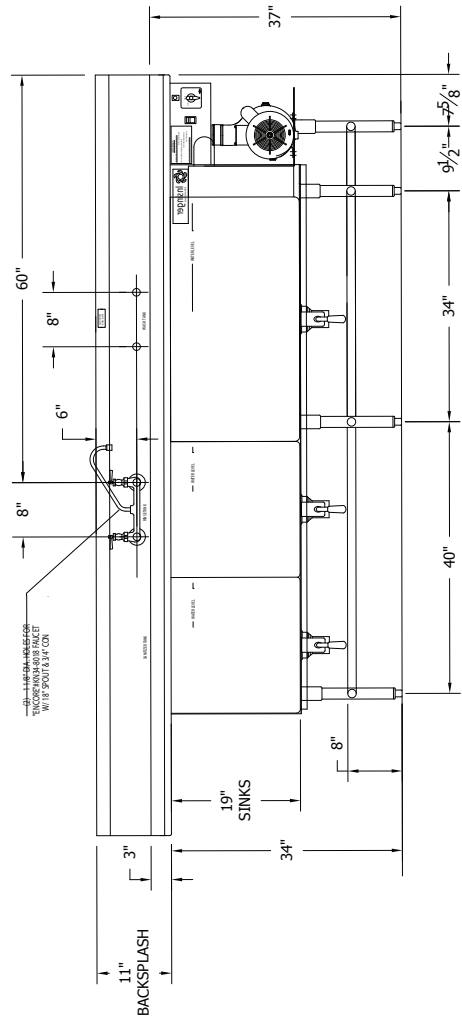
Specified unit will be an Insinger SmartScrubber automatic scrub sink with Quadjet-style whirlpool system. Features include a 1 HP pump, non-submerged heat source, six high-velocity jets, high-capacity basket-style waste drain, and T304 stainless steel construction. Includes a 1-year parts and labor warranty.

TECHNICAL INFORMATION

SMARTSCRUBBER 112 - RIGHT HAND



FRONT



SIDE

