

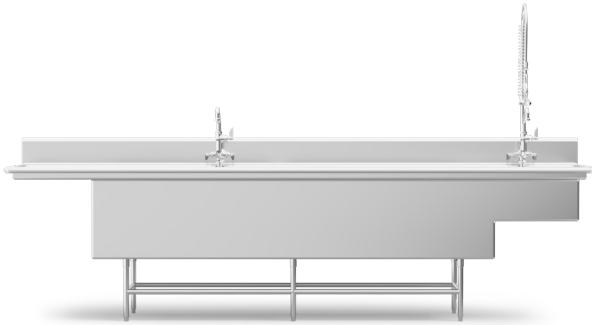


Project \_\_\_\_\_

Item \_\_\_\_\_ Quantity \_\_\_\_\_

Approved by \_\_\_\_\_ Date \_\_\_\_\_

AIA/SIS # \_\_\_\_\_



# SMARTSCRUBBER 136

Automatic Sink System

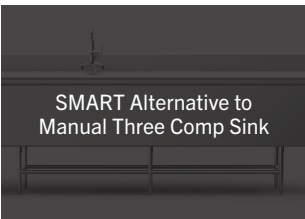


# 16

Gauge Stainless Steel



Three Standard Sizes



SMART Alternative to Manual Three Comp Sink



Made in the USA

## STANDARD FEATURES

- 1 HP pump and non-submerged heat source
- 16-Gauge stainless steel with rolled front and hemmed sides
- Angled corners to eliminate jams
- Fits full-sized sheet pans
- Front-mounted controls (on/off for pump and heater)
- Quad-jet whirlpool wash system
- Six high-velocity jets for effective cleaning
- Smart alternative to manual three compartment sink
- 11" backsplash
- T304 stainless steel construction
- High-capacity basket-style waste drain
- Left or right hand configuration
- Runs on 120V, 20A circuit
- Single-point electrical connection
- Streamlined design
- Welded legs with stainless steel leveling feet

## OPTIONS & ACCESSORIES

- Clean side undershelf
- End splash
- Scrapper drainboard with pre-rinse faucet
- Sink overflows

## SPECIFICATIONS

Shipping Weight (136")	675 lbs.
------------------------	----------

## ELECTRICAL

120/60/1	16.3 A
----------	--------

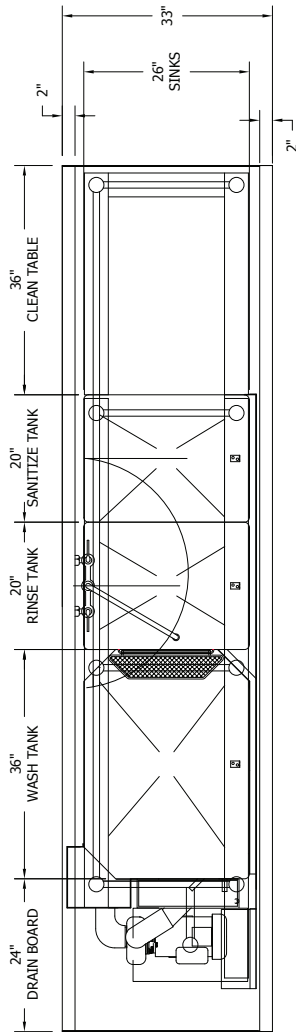
## SPECIFIER STATEMENT

Specified unit will be an Insinger SmartScrubber automatic scrub sink with Quadjet-style whirlpool system. Features include a 1 HP pump, non-submerged heat source, six high-velocity jets, high-capacity basket-style waste drain, and T304 stainless steel construction. Includes a 1-year parts and labor warranty.

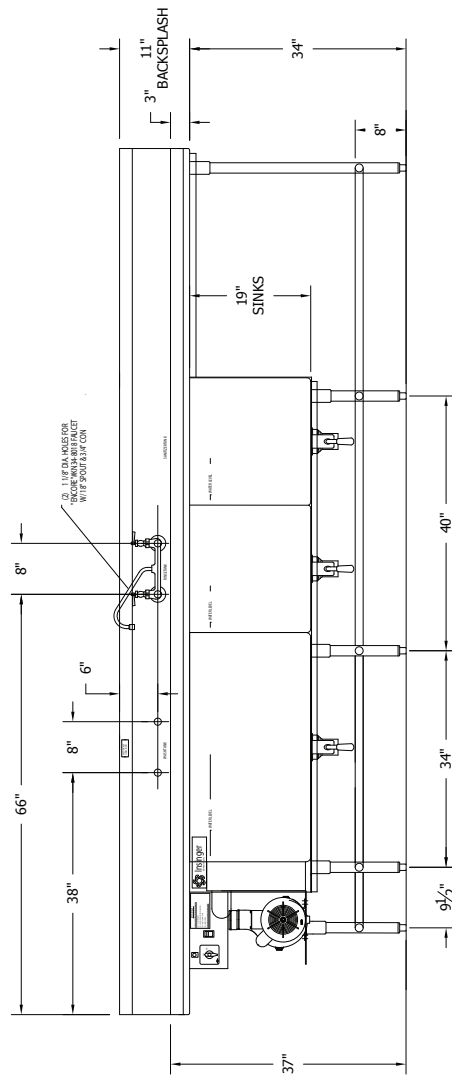
# TECHNICAL INFORMATION

## SMARTSCRUBBER 136 - LEFT HAND

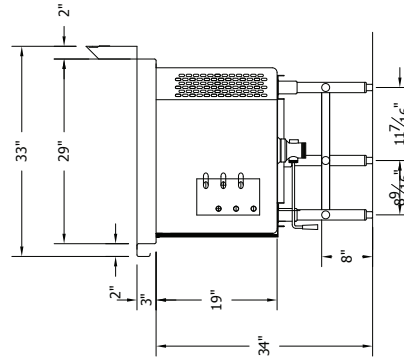
TOP



FRONT

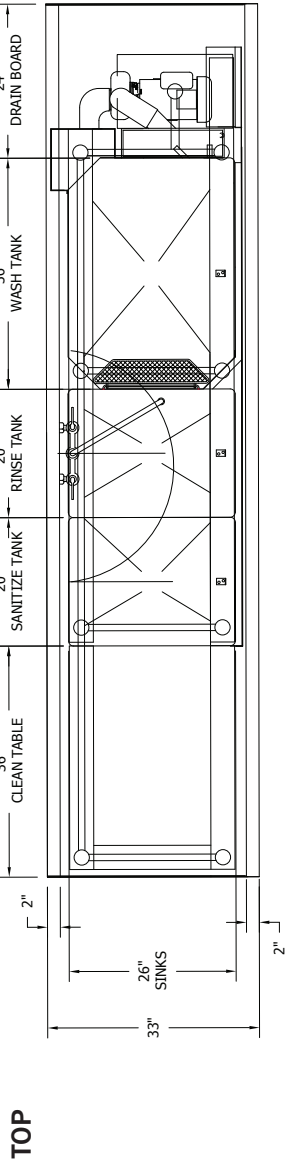


SIDE

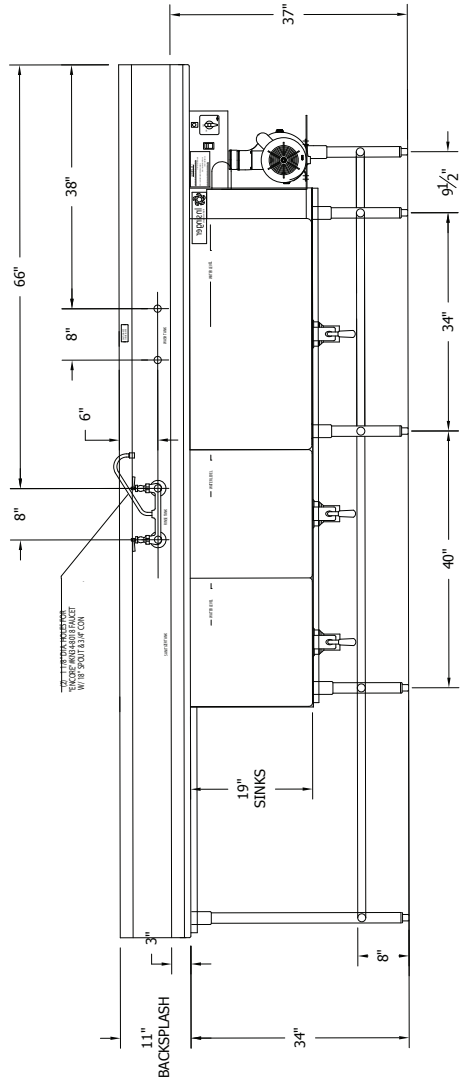


# TECHNICAL INFORMATION

## SMARTSCRUBBER 136 - RIGHT HAND



**FRONT**



**SIDE**

